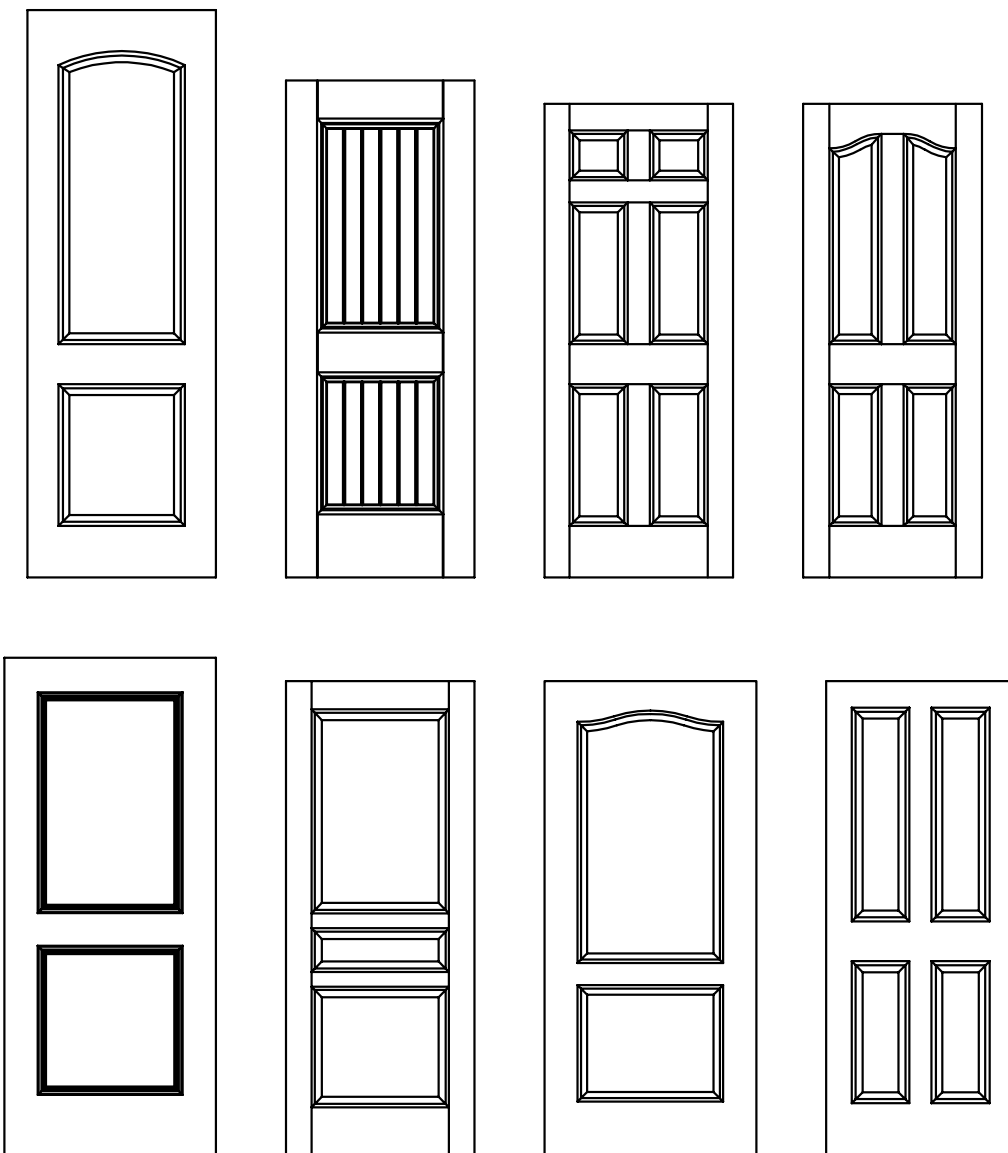
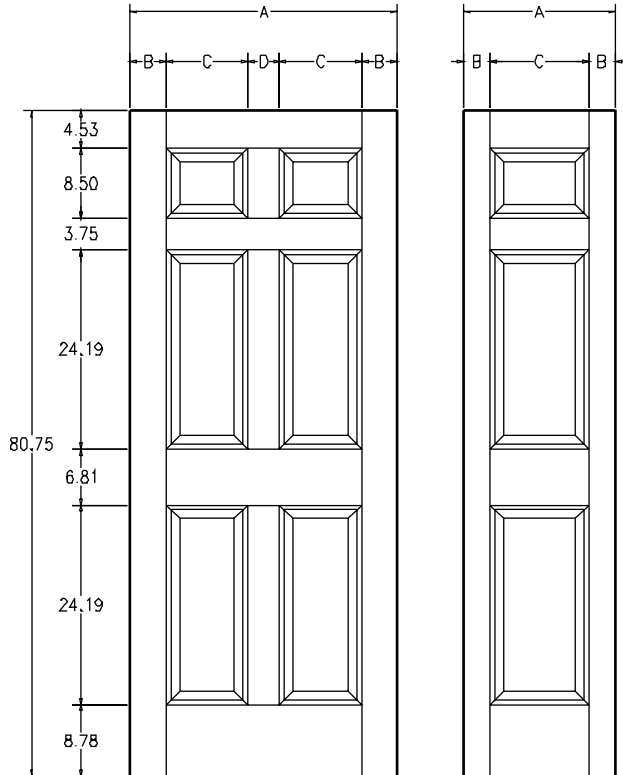


Interior Door Products

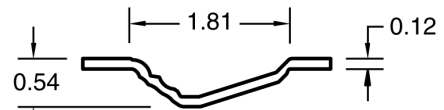
Door Facing Dimensional Specifications



COLONIST® TEXTURED 6'8"



Molded Door Facings Dimensional Specifications

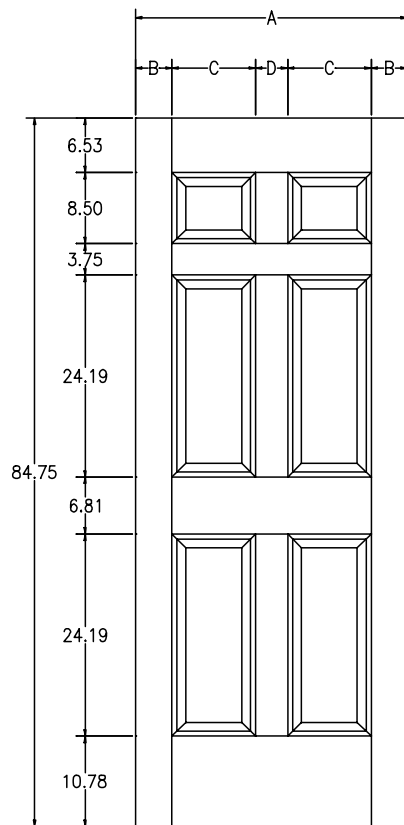


Bead and Cove Profile

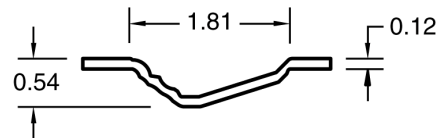
Door Facing Size (Nominal)	A	B	C	D
36	36.375	4.34	11.94	3.81
34	34.375	5.34	9.94	3.81
32	32.375	4.34	9.94	3.81
30	30.375	4.34	8.94	3.81
28	28.375	4.34	7.94	3.81
26	26.375	5.34	5.94	3.81
24	24.375	4.34	5.94	3.81
20	20.375	4.22	11.94	--
18	18.375	3.22	11.94	--
16 U	16.375	4.69	7.00	--
18/18 B	--	--	--	--
16/16 B	--	--	--	--
15/15 B	--	--	--	--
14/14 B	--	--	--	--
12/12 B	--	--	--	--
9/9 B	18.375	3.22	4.81	2.31

Overall length and width dimensions are $\pm 1/16$ "

COLONIST® TEXTURED 7'0"



Molded Door Facings Dimensional Specifications

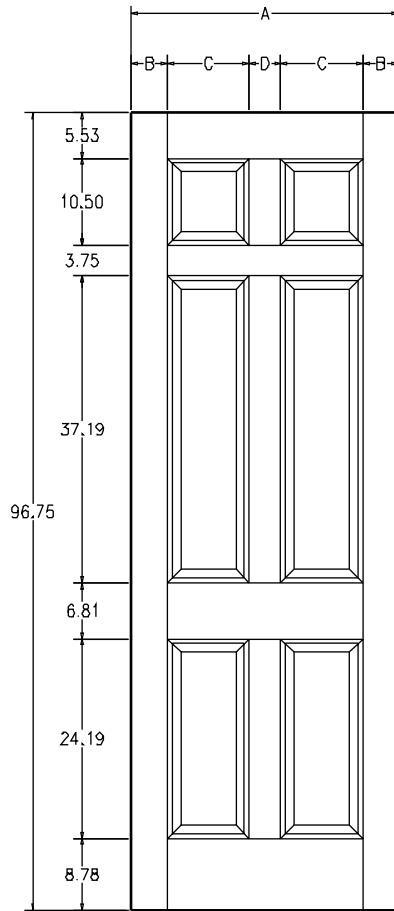


Bead and Cove Profile

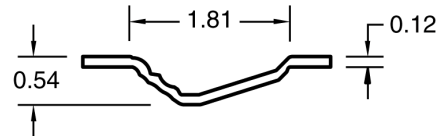
Door Facing Size (Nominal)	A	B	C	D
36	36.375	4.34	11.94	3.81
34	34.375	5.34	9.94	3.81
32	32.375	4.34	9.94	3.81
30	30.375	4.34	8.94	3.81
28	28.375	4.34	7.94	3.81
26	26.375	5.34	5.94	3.81
24	24.375	4.34	5.94	3.81
20	--	--	--	--
18	--	--	--	--
16 U	--	--	--	--
18/18 B	--	--	--	--
16/16 B	--	--	--	--
15/15 B	--	--	--	--
14/14 B	--	--	--	--
12/12 B	--	--	--	--
9/9 B	--	--	--	--

Overall length and width dimensions are $\pm 1/16$ "

COLONIST® TEXTURED 8'0"



Molded Door Facings Dimensional Specifications

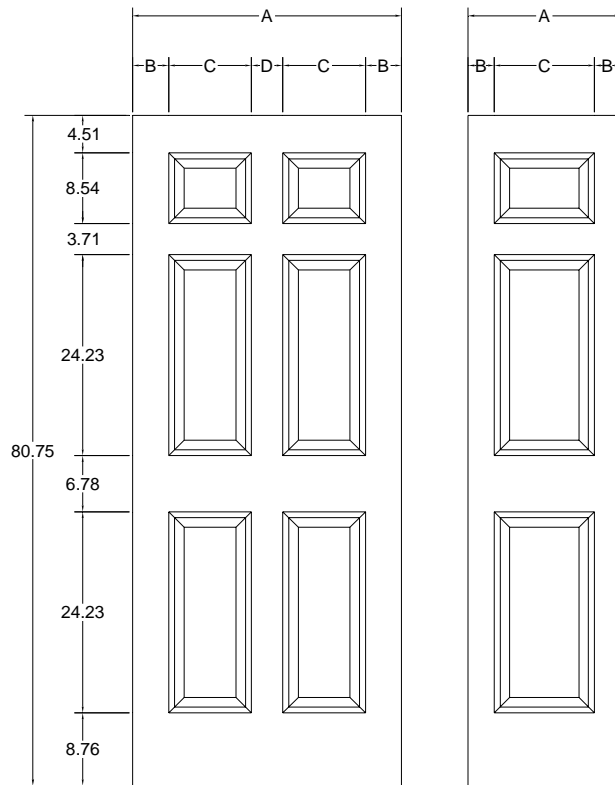


Bead and Cove Profile

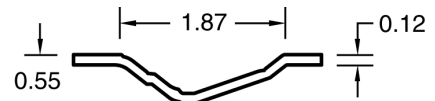
Door Facing Size (Nominal)	A	B	C	D
36	36.375	4.34	11.94	3.81
34	34.375	5.34	9.94	3.81
32	32.375	4.34	9.94	3.81
30	30.375	4.34	8.94	3.81
28	28.375	4.34	7.94	3.81
26	26.375	5.34	5.94	3.81
24	24.375	4.34	5.94	3.81
20	--	--	--	--
18	--	--	--	--
16 U	--	--	--	--
18/18 B	--	--	--	--
16/16 B	--	--	--	--
15/15 B	--	--	--	--
14/14 B	--	--	--	--
12/12 B	--	--	--	--
9/9 B	--	--	--	--

Overall length and width dimensions are $\pm 1/16$ "

COLONIST® SMOOTH 6'8"



Molded Door Facings Dimensional Specifications

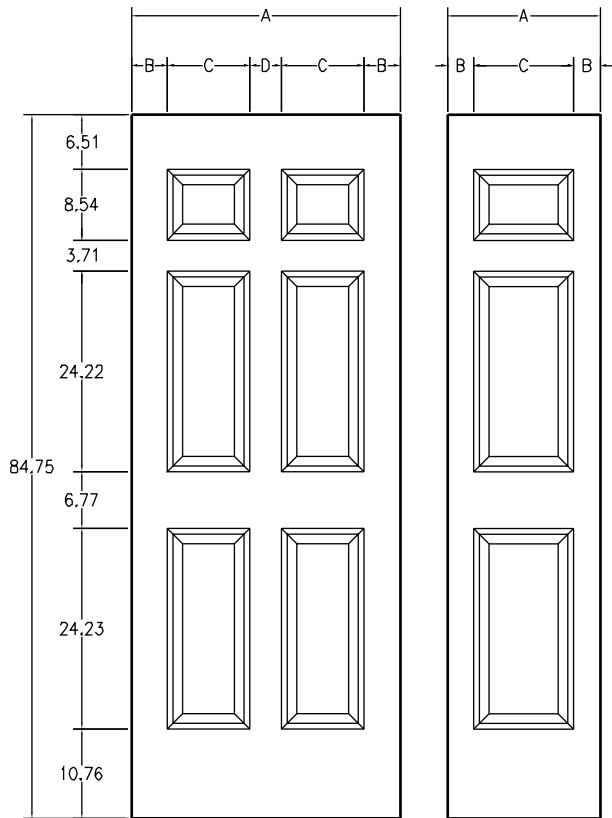


Patented INP Profile

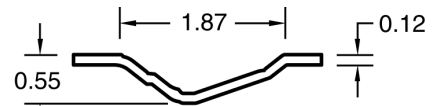
Door Facing Size (Nominal)	A	B	C	D
36	36.375	4.34	11.96	3.78
34	34.375	5.34	9.96	3.78
32	32.375	4.34	9.96	3.78
30	30.375	4.34	8.96	3.78
28	28.375	4.34	7.96	3.78
26	26.375	5.34	5.96	3.78
24	24.375	4.34	5.96	3.78
20	20.375	4.21	11.96	--
18	18.375	3.21	11.96	--
16 U	16.375	4.69	7.00	--
18/18 B	--	--	--	--
16/16 B	--	--	--	--
15/15 B	--	--	--	--
14/14 B	--	--	--	--
12/12 B	--	--	--	--
9/9 B	--	--	--	--

Overall length and width dimensions are $\pm 1/16"$

COLONIST® SMOOTH 7'0"



Molded Door Facings Dimensional Specifications

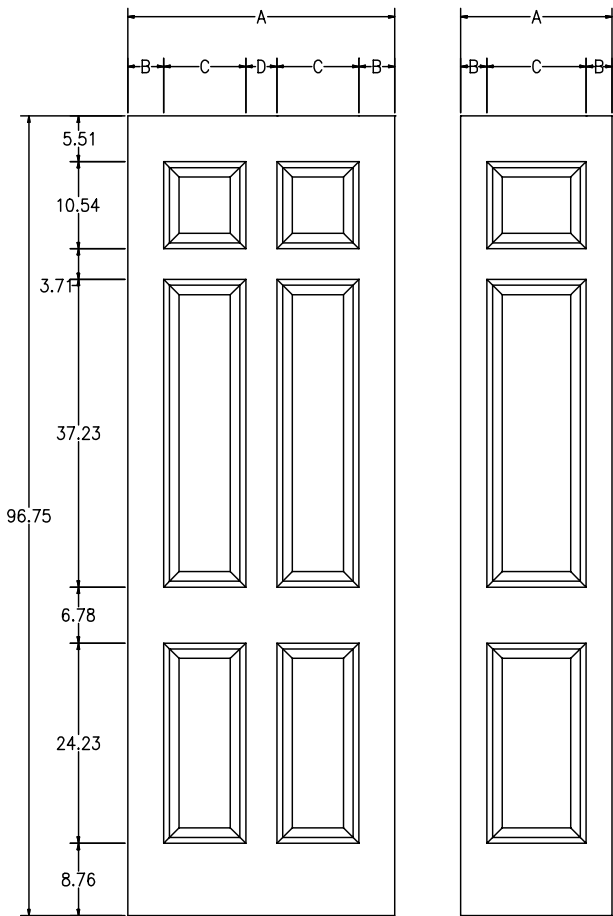


Patented INP Profile

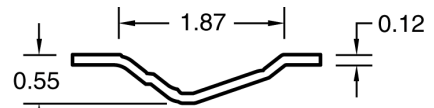
Door Facing Size (Nominal)	A	B	C	D
36	36.375	4.34	11.96	3.78
34	34.375	5.34	9.96	3.78
32	32.375	4.34	9.96	3.78
30	30.375	4.34	8.96	3.78
28	28.375	4.34	7.96	3.78
26	26.375	5.34	5.96	3.78
24	24.375	4.34	5.96	3.78
20	20.375	4.21	11.96	--
18	18.375	3.21	11.96	--
16 U	--	--	--	--
18/18 B	--	--	--	--
16/16 B	--	--	--	--
15/15 B	--	--	--	--
14/14 B	--	--	--	--
12/12 B	--	--	--	--
9/9 B	--	--	--	--

Overall length and width dimensions are $\pm 1/16"$

COLONIST[®] SMOOTH 8'0"



Molded Door Facings Dimensional Specifications

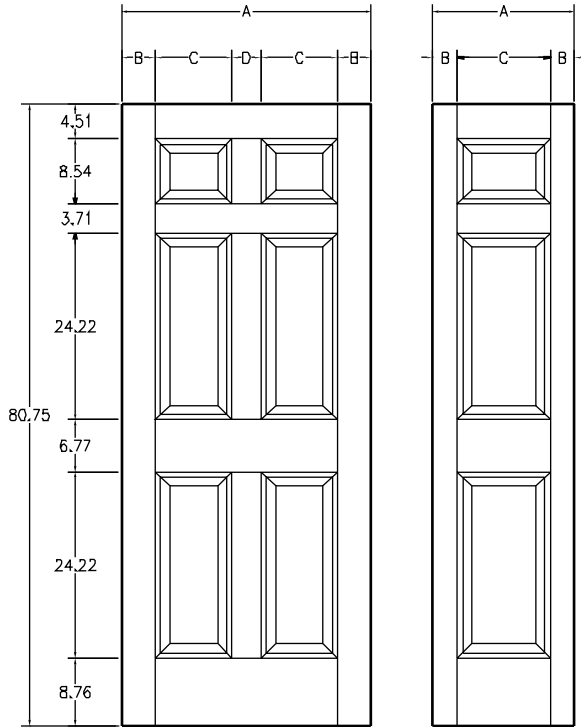


Patented INP Profile

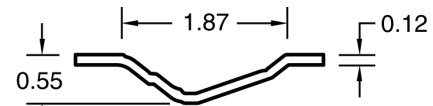
Door Facing Size (Nominal)	A	B	C	D
36	36.375	4.34	11.96	3.78
34	34.375	5.34	9.96	3.78
32	32.375	4.34	9.96	3.78
30	30.375	4.34	8.96	3.78
28	28.375	4.34	7.96	3.78
26	26.375	5.34	5.96	3.78
24	24.375	4.34	5.96	3.78
20	20.375	4.21	11.96	--
18	18.375	3.21	11.96	--
16 U	16.375	4.65	7.08	--
18/18 B	--	--	--	--
16/16 B	--	--	--	--
15/15 B	--	--	--	--
14/14 B	--	--	--	--
12/12 B	--	--	--	--
9/9 B	--	--	--	--

Overall length and width dimensions are $\pm 1/16$ "

COLONIST® PRE-STAINED 6'8"



Molded Door Facings Dimensional Specifications

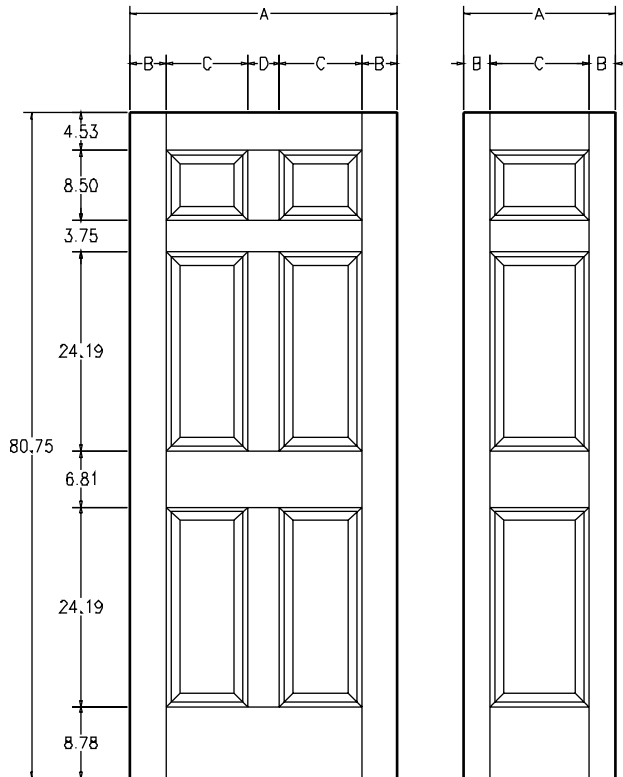


Patented INP Profile

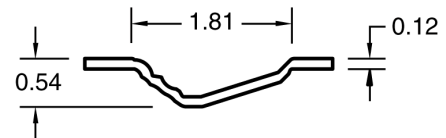
Door Facing Size (Nominal)	A	B	C	D
36	36.375	4.34	11.96	3.78
34	34.375	5.34	9.96	3.78
32	32.375	4.34	9.96	3.78
30	30.375	4.34	8.96	3.78
28	28.375	4.34	7.96	3.78
26	26.375	5.34	5.96	3.78
24	24.375	4.34	5.96	3.78
20	20.375	4.21	11.96	--
18	18.375	3.21	11.96	--
16 U	16.375	4.69	7.00	--
18/18 B	--	--	--	--
16/16 B	--	--	--	--
15/15 B	--	--	--	--
14/14 B	--	--	--	--
12/12 B	--	--	--	--
9/9 B	--	--	--	--

Overall length and width dimensions are $\pm 1/16"$

COLONIST® FINISHED WHITE 6'8"



Molded Door Facings Dimensional Specifications

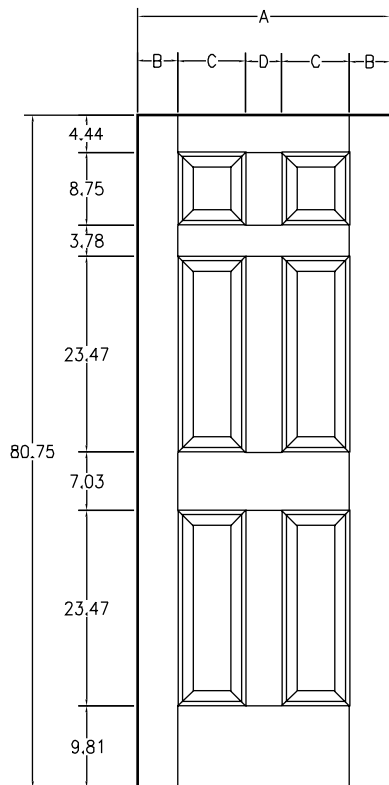


Bead and Cove Profile

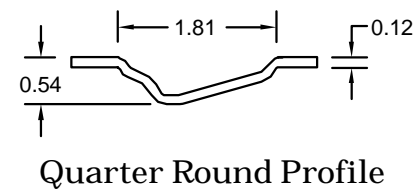
Door Facing Size (Nominal)	A	B	C	D
36	36.375	4.34	11.94	3.81
34	34.375	5.34	9.94	3.81
32	32.375	4.34	9.94	3.81
30	30.375	4.34	8.94	3.81
28	28.375	4.34	7.94	3.81
26	26.375	5.34	5.94	3.81
24	24.375	4.34	5.94	3.81
20	20.375	4.22	11.94	--
18	18.375	3.22	11.94	--
16 U	16.375	4.69	7.00	--
18/18 B	--	--	--	--
16/16 B	--	--	--	--
15/15 B	--	--	--	--
14/14 B	--	--	--	--
12/12 B	--	--	--	--
9/9 B	--	--	--	--

Overall length and width dimensions are $\pm 1/16"$

CAROLINA™ TEXTURED 6'8"



Molded Door Facings Dimensional Specifications



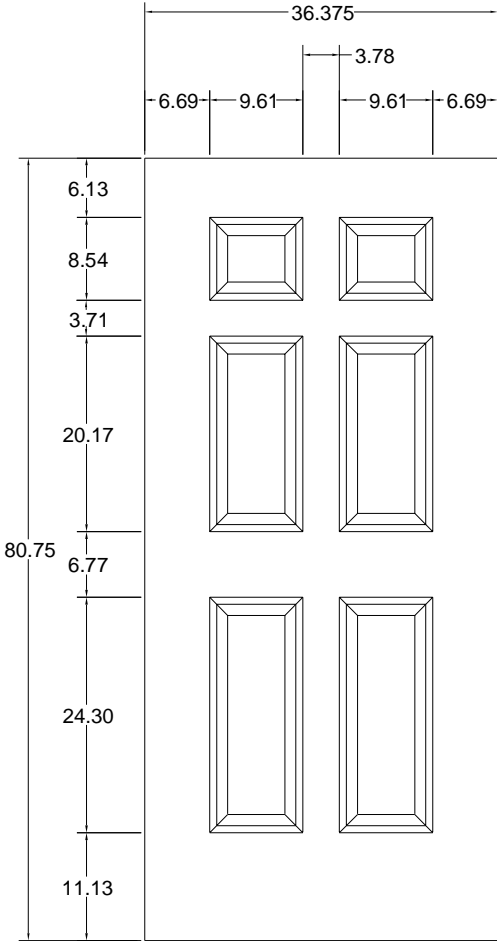
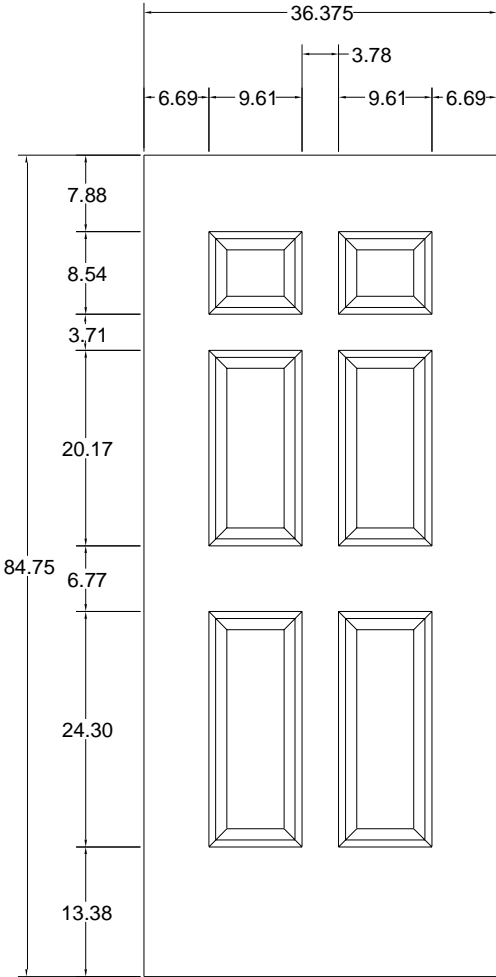
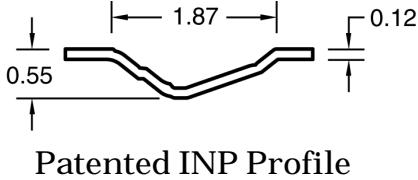
Door Facing Size (Nominal)	A	B	C	D
36	36.375	4.88	11.14	4.34
34	34.375	5.88	9.14	4.34
32	32.375	4.88	9.14	4.34
30	30.375	4.88	8.14	4.34
28	28.375	4.88	7.14	4.34
26	26.375	5.88	5.14	4.34
24	24.375	4.88	5.14	4.34
20	20.375	4.62	11.14	--
18	18.375	3.62	11.14	--
16 U	16.375	4.74	6.90	--
18/18 B	--	--	--	--
16/16 B	--	--	--	--
15/15 B	--	--	--	--
14/14 B	--	--	--	--
12/12 B	--	--	--	--
9/9 B	--	--	--	--

Overall length and width dimensions are $\pm 1/16"$

COMMERCIAL COLONIST® SMOOTH 6'8", 7'0"

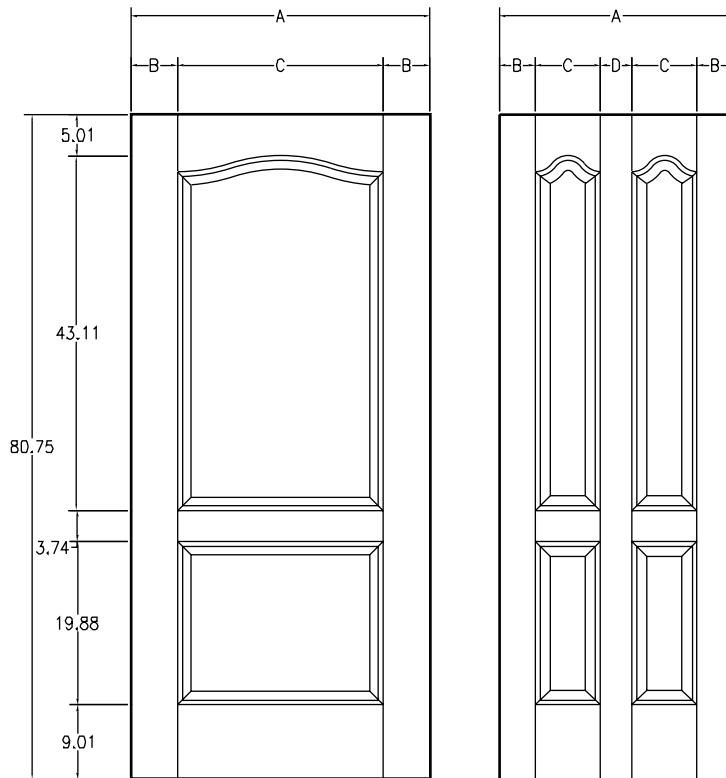


Molded Door Facings Dimensional Specifications



Overall length and width dimensions are $\pm 1/16"$

CLASSIQUE® TEXTURED 6'8"



Molded Door Facings Dimensional Specifications

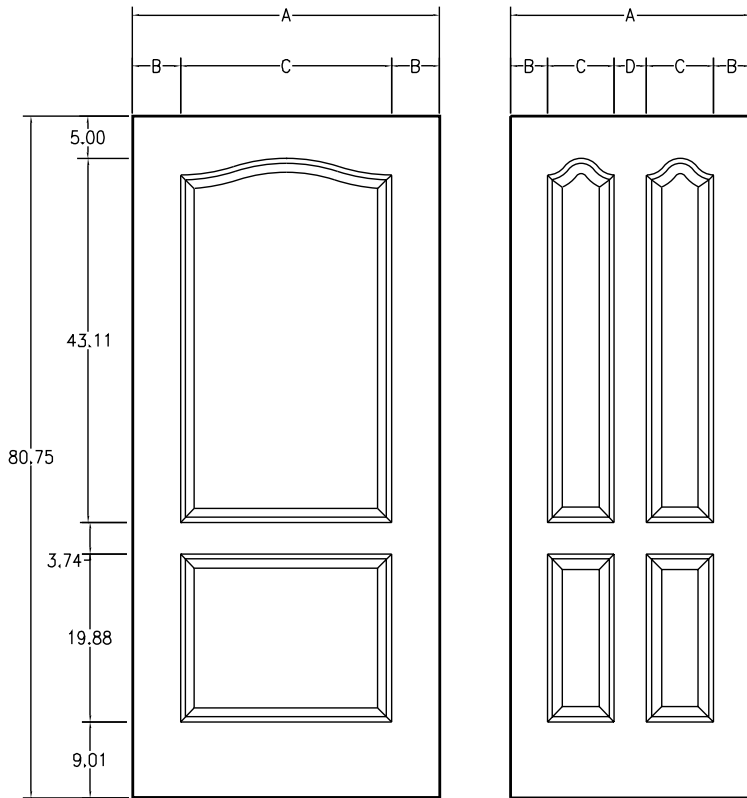


Bead and Cove Profile

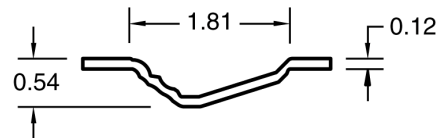
Door Facing Size (Nominal)	A	B	C	D
36	36.375	5.69	25.00	--
34	34.375	5.77	22.84	--
32	32.375	4.77	22.84	--
30	30.375	5.35	19.69	--
28	28.375	5.13	18.11	--
26	26.375	5.71	14.96	--
24	24.375	4.71	14.96	--
20	20.375	5.44	9.50	--
18	18.375	4.44	9.50	--
16 U	16.375	4.69	7.00	--
18/18 B	36.375	6.19	9.50	5.00
16/16 B	32.375	4.78	9.50	3.81
15/15 B	30.375	4.61	8.68	3.81
14/14 B	28.375	4.34	7.94	3.81
12/12 B	24.375	3.49	6.79	3.81
9/9 B	--	--	--	--

Overall length and width dimensions are $\pm 1/16$ "

CREMONA® SMOOTH 6'8"



Molded Door Facings Dimensional Specifications

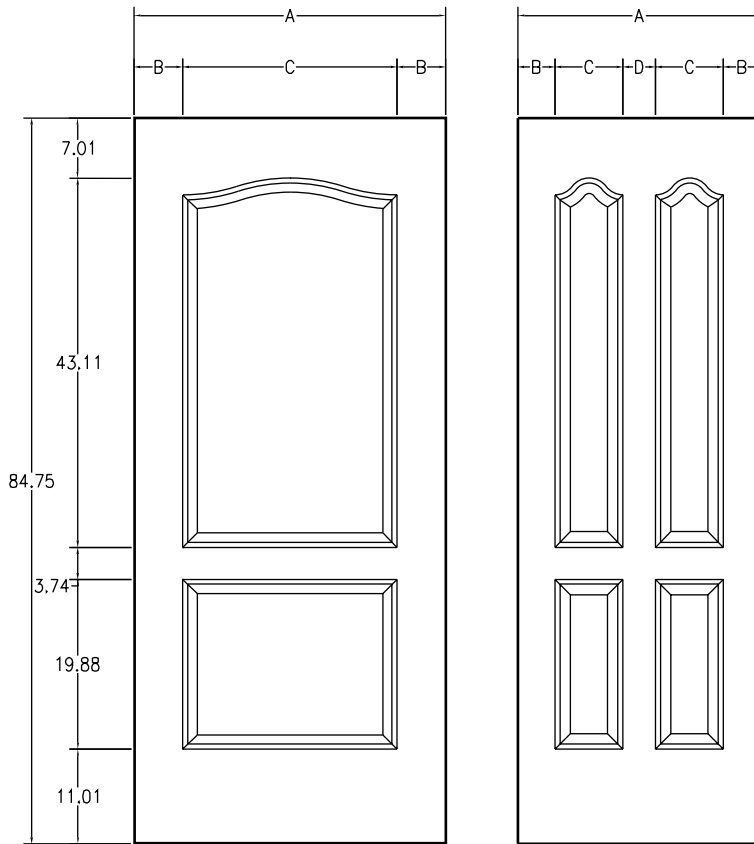


Bead and Cove Profile

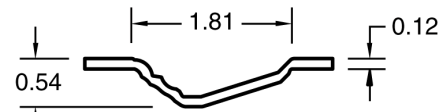
Door Facing Size (Nominal)	A	B	C	D
36	36.375	5.69	25.00	--
34	34.375	5.77	22.84	--
32	32.375	4.77	22.84	--
30	30.375	5.35	19.69	--
28	28.375	5.13	18.11	--
26	26.375	5.71	14.96	--
24	24.375	4.71	14.96	--
20	20.375	5.44	9.50	--
18	18.375	4.44	9.50	--
16 U	--	--	--	--
18/15 U	36.375	6.60	9.09	5.00
16/16 B	--	--	--	--
15/15 B	--	--	--	--
14/14 B	--	--	--	--
12/12 B	24.375	3.49	6.79	3.81

Overall length and width dimensions are $\pm 1/16$ "

CREMONA® SMOOTH 7'0"



Molded Door Facings Dimensional Specifications

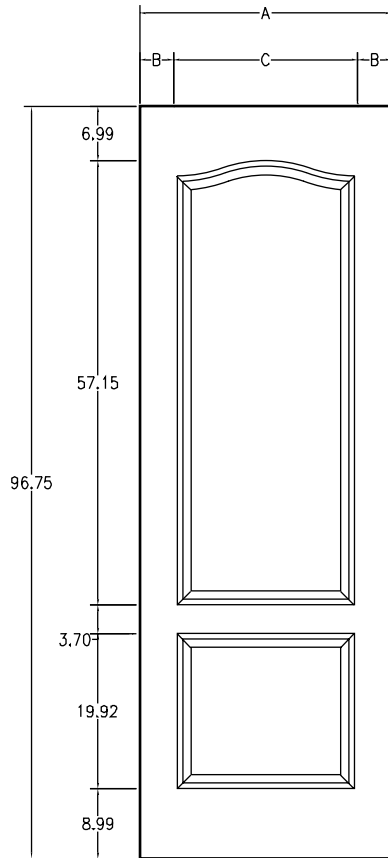


Bead and Cove Profile

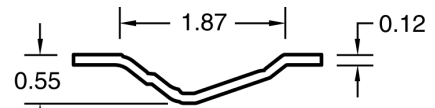
Door Facing Size (Nominal)	A	B	C	D
36	36.375	5.69	25.00	--
34	34.375	5.77	22.84	--
32	32.375	4.77	22.84	--
30	30.375	5.35	19.69	--
28	28.375	5.13	18.11	--
26	26.375	5.71	14.96	--
24	24.375	4.71	14.96	--
20	20.375	5.44	9.50	--
18	18.375	4.44	9.50	--
16 U	--	--	--	--
18/15 U	36.375	6.60	9.09	5.00
16/16 B	--	--	--	--
15/15 B	--	--	--	--
14/14 B	--	--	--	--
12/12 B	24.375	3.49	6.79	3.81

Overall length and width dimensions are $\pm 1/16$ "

CREMONA® SMOOTH 8'0"



Molded Door Facings Dimensional Specifications

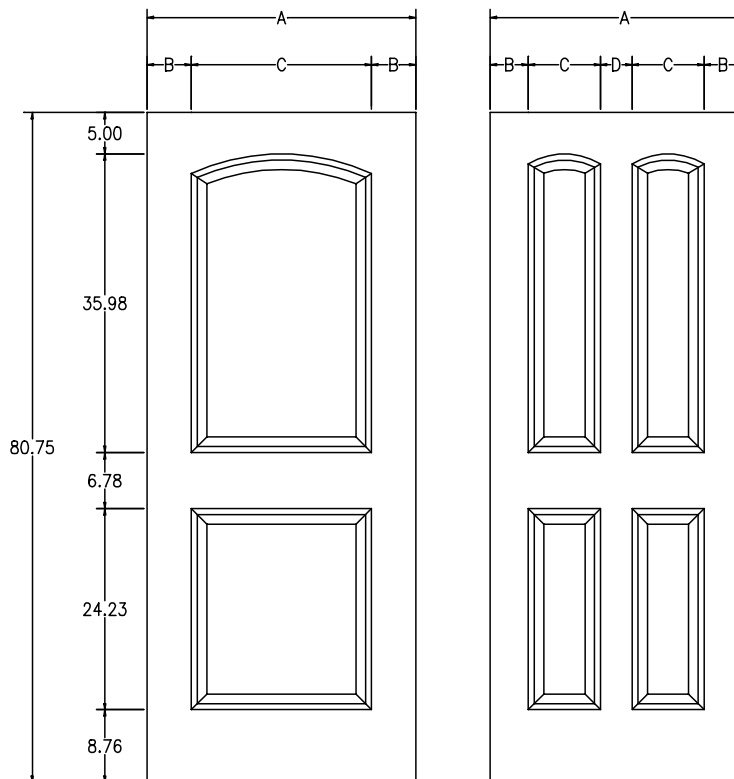


Patented INP Profile

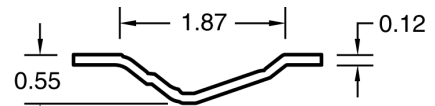
Door Facing Size (Nominal)	A	B	C	D
36	36.375	5.69	25.00	--
34	34.375	5.77	22.84	--
32	32.375	4.77	22.84	--
30	30.375	5.35	19.69	--
28	28.375	5.13	18.11	--
26	26.375	5.71	14.96	--
24	24.375	4.71	14.96	--
20	20.375	5.44	9.50	--
18	18.375	4.44	9.50	--
16 U	16.375	4.65	7.08	--
18/18 B	--	--	--	--
16/16 B	--	--	--	--
15/15 B	--	--	--	--
14/14 B	--	--	--	--
12/12 B	--	--	--	--
9/9 B	--	--	--	--

Overall length and width dimensions are $\pm 1/16"$

CAIMAN® SMOOTH 6'8"



Molded Door Facings Dimensional Specifications

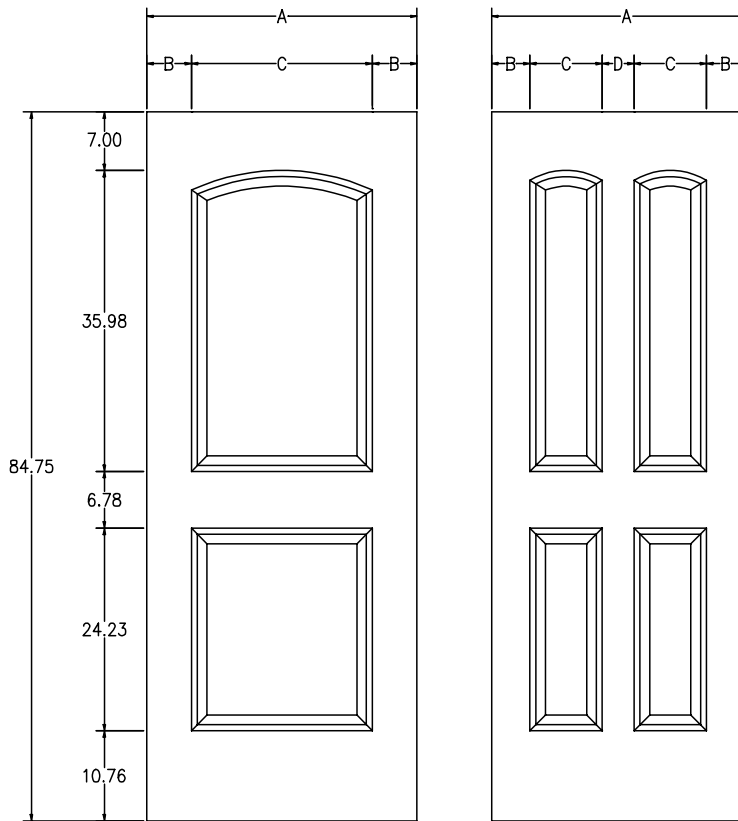


Patented INP Profile

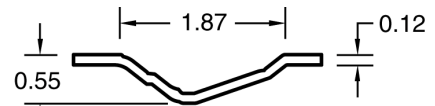
Door Facing Size (Nominal)	A	B	C	D
36	36.375	6.34	23.69	--
34	34.375	6.34	21.69	--
32	32.375	5.34	21.69	--
30	30.375	5.34	19.69	--
28	28.375	5.34	17.69	--
26	26.375	5.34	15.69	--
24	24.375	4.34	15.69	--
20	20.375	4.21	11.96	--
18	18.375	3.21	11.96	--
16 U	16.375	4.65	7.08	--
18/15 U	36.375	6.60	9.09	5.00
16/16 B	--	--	--	--
15/15 B	--	--	--	--
14/14 B	--	--	--	--
12/12 B	24.375	3.49	6.79	3.81

Overall length and width dimensions are $\pm 1/16"$

CAIMAN® SMOOTH 7'0"



Molded Door Facings Dimensional Specifications

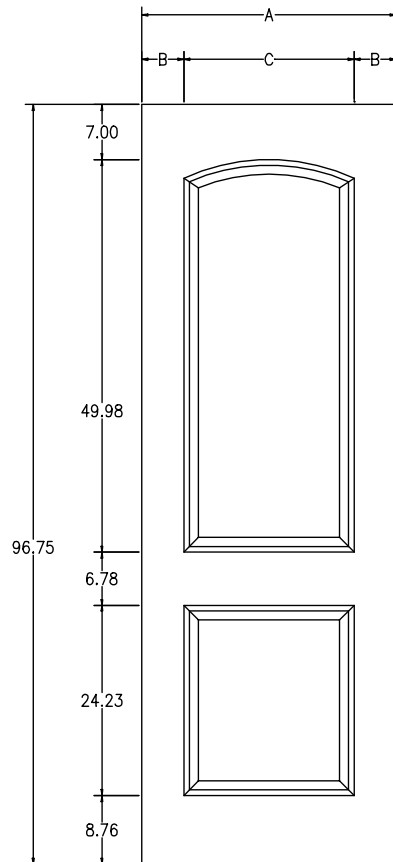


Patented INP Profile

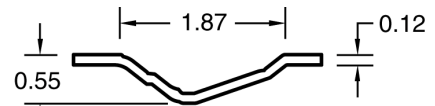
Door Facing Size (Nominal)	A	B	C	D
36	36.375	6.34	23.69	--
34	34.375	6.34	21.69	--
32	32.375	5.34	21.69	--
30	30.375	5.34	19.69	--
28	28.375	5.34	17.69	--
26	26.375	5.34	15.69	--
24	24.375	4.34	15.69	--
20	20.375	4.21	11.96	--
18	18.375	3.21	11.96	--
16 U	16.375	4.65	7.08	--
18/15 U	36.375	6.60	9.09	5.00
16/16 B	--	--	--	--
15/15 B	--	--	--	--
14/14 B	--	--	--	--
12/12 B	24.375	3.49	6.79	3.81

Overall length and width dimensions are $\pm 1/16$ "

CAIMAN[®] SMOOTH 8'0"



Molded Door Facings Dimensional Specifications

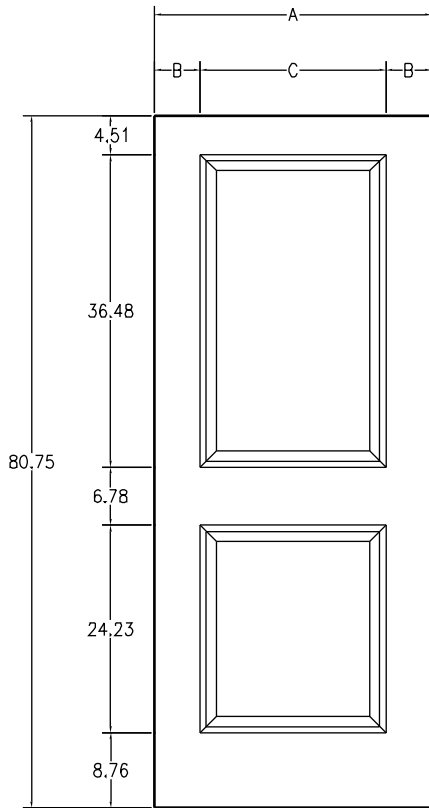


Patented INP Profile

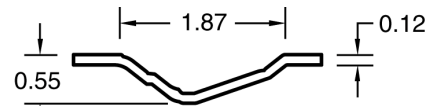
Door Facing Size (Nominal)	A	B	C	D
36	36.375	6.34	23.69	--
34	34.375	6.34	21.69	--
32	32.375	5.34	21.69	--
30	30.375	5.34	19.69	--
28	28.375	5.34	17.69	--
26	26.375	5.34	15.69	--
24	24.375	4.34	15.69	--
20	20.375	4.21	11.96	--
18	18.375	3.21	11.96	--
16 U	--	--	--	--
18/18 B	--	--	--	--
16/16 B	--	--	--	--
15/15 B	--	--	--	--
14/14 B	--	--	--	--
12/12 B	--	--	--	--
9/9 B	--	--	--	--

Overall length and width dimensions are $\pm 1/16$ "

CARRARA® SMOOTH 6'8"



Molded Door Facings Dimensional Specifications



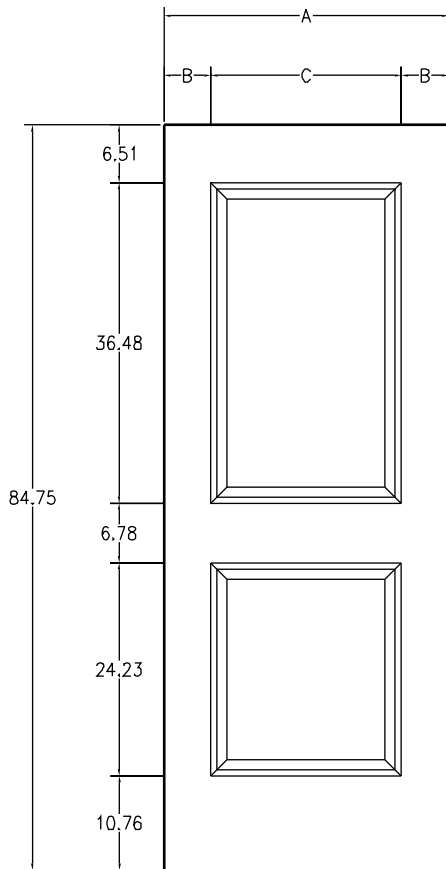
Patented INP Profile

Door Facing Size (Nominal)	A	B	C	D
36	36.375	6.34	23.69	--
34	34.375	6.34	21.69	--
32	32.375	5.34	21.69	--
30	30.375	5.34	19.69	--
28	28.375	5.34	17.69	--
26	26.375	5.34	15.69	--
24	24.375	4.34	15.69	--
20*	20.375	4.21	11.96	--
18*	18.375	3.21	11.96	--
16 U*	16.375	4.69	7.00	--
18/18 B	--	--	--	--
16/16 B	--	--	--	--
15/15 B	--	--	--	--
14/14 B	--	--	--	--
12/12 B	--	--	--	--

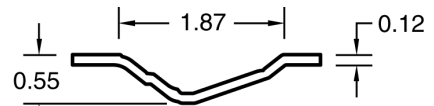
Note * Smooth Coventry SKU's (one panel wide)

Overall length and width dimensions are $\pm 1/16$ "

CARRARA[®] SMOOTH 7'0"



Molded Door Facings Dimensional Specifications



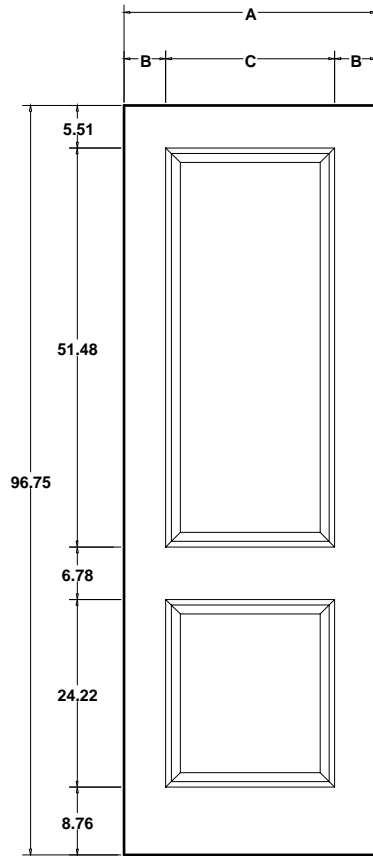
Patented INP Profile

Door Facing Size (Nominal)	A	B	C	D
36	36.375	6.34	23.69	--
34	34.375	6.34	21.69	--
32	32.375	5.34	21.69	--
30	30.375	5.34	19.69	--
28	28.375	5.34	17.69	--
26	26.375	5.34	15.69	--
24	24.375	4.34	15.69	--
20*	20.375	4.21	11.96	--
18*	18.375	3.21	11.96	--
16 U*	16.375	4.69	7.00	--
18/18 B	--	--	--	--
16/16 B	--	--	--	--
15/15 B	--	--	--	--
14/14 B	--	--	--	--
12/12 B	--	--	--	--

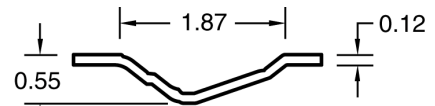
Note * Smooth Coventry SKU's (one panel wide)

Overall length and width dimensions are $\pm 1/16$ "

CARRARA[®] SMOOTH 8'0"



Molded Door Facings Dimensional Specifications



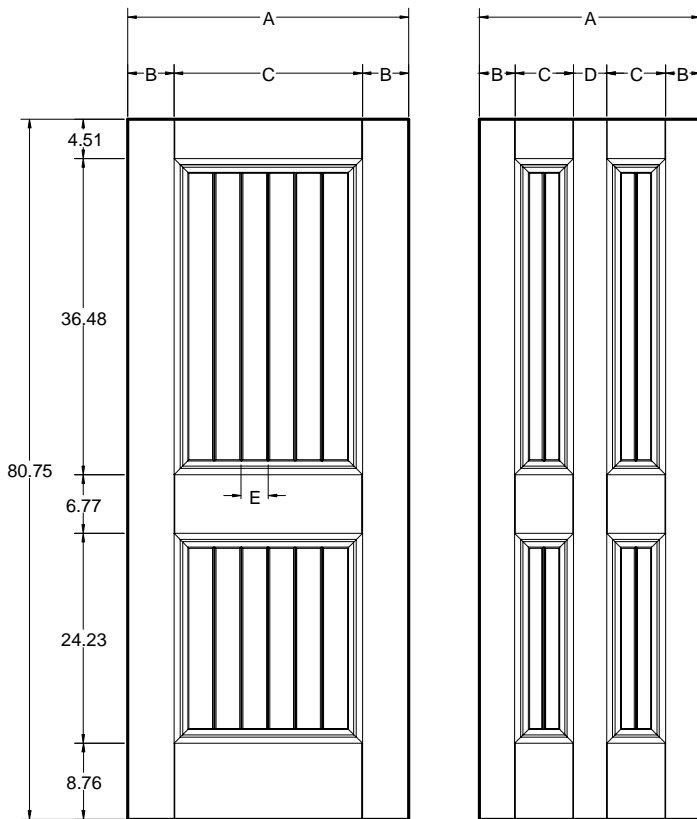
Patented INP Profile

Door Facing Size (Nominal)	A	B	C	D
36	36.375	6.34	23.69	--
34	34.375	6.34	21.69	--
32	32.375	5.34	21.69	--
30	30.375	5.34	19.69	--
28	28.375	5.34	17.69	--
26	26.375	5.34	15.69	--
24	24.375	4.34	15.69	--
20*	20.375	4.21	11.96	--
18*	18.375	3.21	11.96	--
16 U*	16.375	4.65	7.08	--
18/18 B	--	--	--	--
16/16 B	--	--	--	--
15/15 B	--	--	--	--
14/14 B	--	--	--	--
12/12 B	--	--	--	--
9/9 B	--	--	--	--

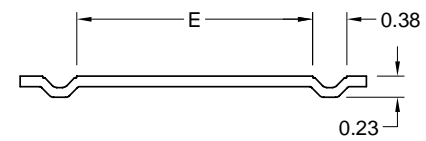
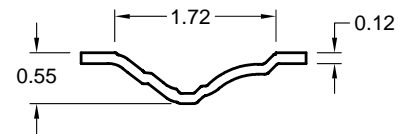
Note * Smooth Coventry SKU's (one panel wide)

Overall length and width dimensions are $\pm 1/16$ "

CORVADO™ SMOOTH 6'8"



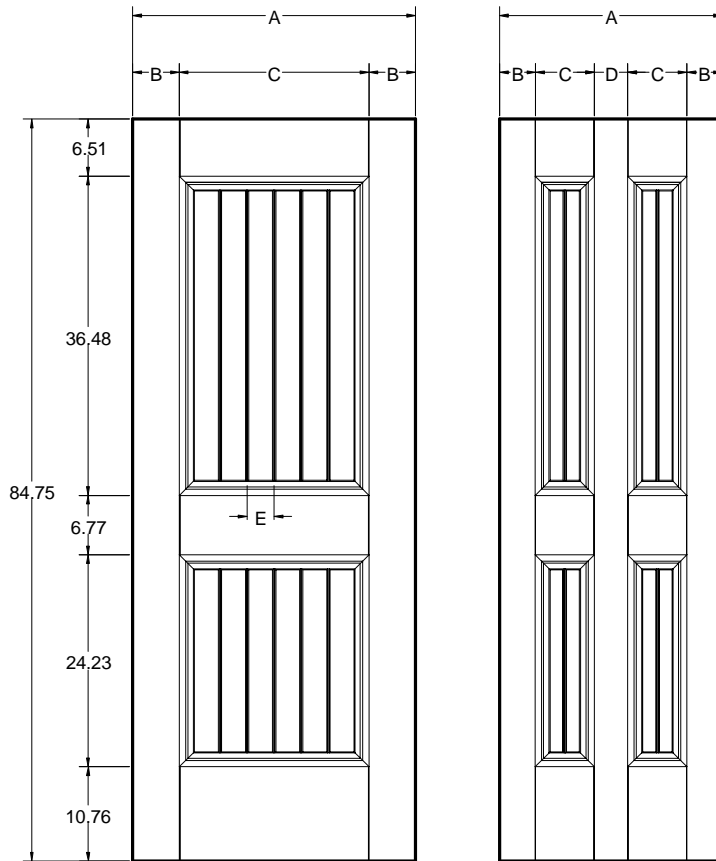
Molded Door Facings Dimensional Specifications



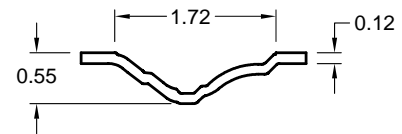
Door Facing Size (Nominal)	A	B	C	D	E	Number of Planks
36	36.375	6.34	23.69	--	3.06	6
34	34.375	6.34	21.69	--	2.73	6
32	32.375	5.34	21.69	--	2.73	6
30	30.375	5.34	19.69	--	2.95	5
28	28.375	5.34	17.69	--	2.55	5
26	26.375	5.34	15.69	--	2.78	4
24	24.375	4.34	15.69	--	2.78	4
20	20.375	4.21	11.96	--	2.59	3
18	18.375	3.21	11.96	--	2.59	3
16 U	--	--	--	--	--	--
15/18 U	36.375	6.60	9.09	5.00	1.63	3
16/16 B	--	--	--	--	--	--
15/15 B	--	--	--	--	--	--
14/14 B	--	--	--	--	--	--
12/12 B	24.375	3.49	6.79	3.81	1.49	2

Overall length and width dimensions are $\pm 1/16"$

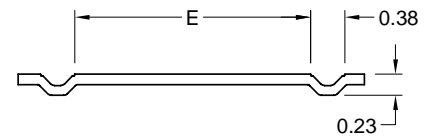
CORVADO™ SMOOTH 7'0"



Molded Door Facings Dimensional Specifications



Modified INP Profile

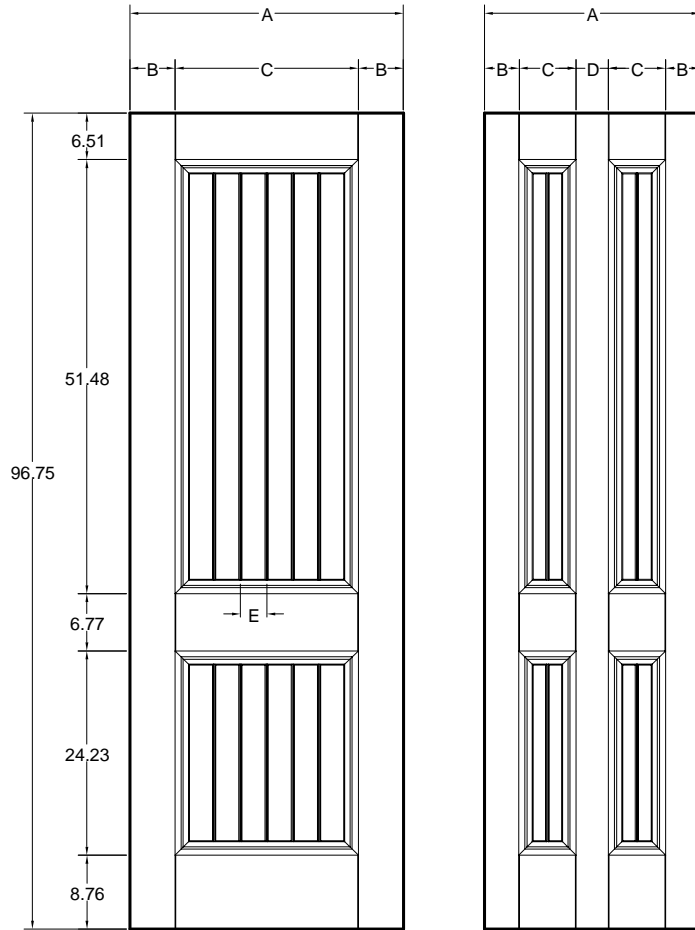


Plank and Groove Detail

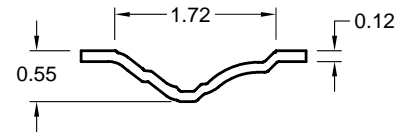
Door Facing Size (Nominal)	A	B	C	D	E	Number of Planks
36	36.375	6.34	23.69	--	3.06	6
34	34.375	6.34	21.69	--	2.73	6
32	32.375	5.34	21.69	--	2.73	6
30	30.375	5.34	19.69	--	2.95	5
28	28.375	5.34	17.69	--	2.55	5
26	26.375	5.34	15.69	--	2.78	4
24	24.375	4.34	15.69	--	2.78	4
20	20.375	4.21	11.96	--	2.59	3
18	18.375	3.21	11.96	--	2.59	3
16 U	--	--	--	--	--	--
15/18 U	36.375	6.60	9.09	5.00	1.63	3
16/16 B	--	--	--	--	--	--
15/15 B	--	--	--	--	--	--
14/14 B	--	--	--	--	--	--
12/12 B	24.375	3.49	6.79	3.81	1.49	2

Overall length and width dimensions are $\pm 1/16"$

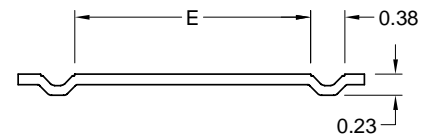
CORVADO™ SMOOTH 8'0"



Molded Door Facings Dimensional Specifications



Modified INP Profile

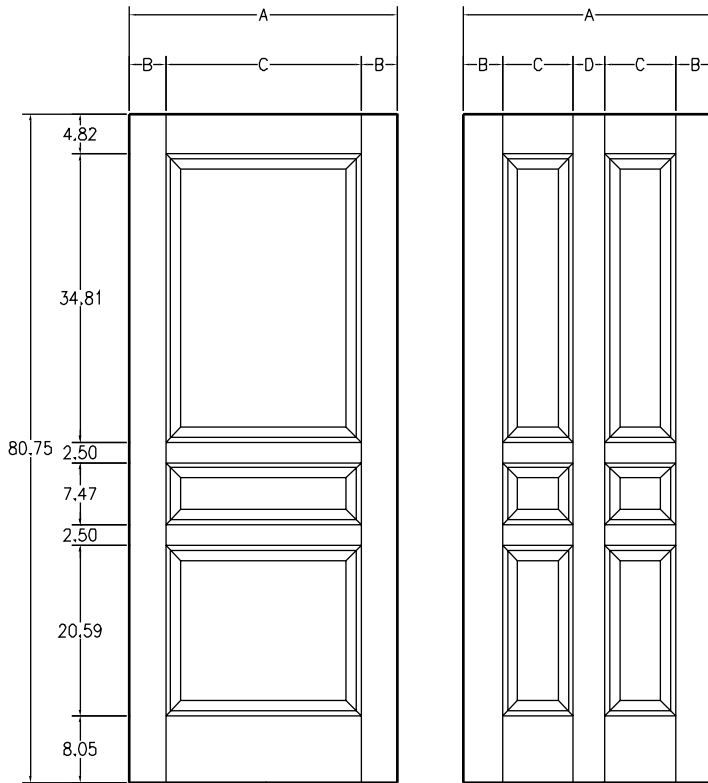


Plank and
Groove Detail

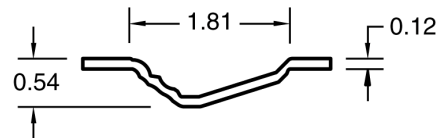
Door Facing Size (Nominal)	A	B	C	D	E	Number of Planks
36	36.375	6.34	23.69	--	3.06	6
34	34.375	6.34	21.69	--	2.73	6
32	32.375	5.34	21.69	--	2.73	6
30	30.375	5.34	19.69	--	2.95	5
28	28.375	5.34	17.69	--	2.55	5
26	26.375	5.34	15.69	--	2.78	4
24	24.375	4.34	15.69	--	2.78	4
20	20.375	4.21	11.96	--	2.59	3
18	18.375	3.21	11.96	--	2.59	3
16 U	--	--	--	--	--	--
15/18 U	36.375	6.60	9.09	5.00	1.63	3
16/16 B	--	--	--	--	--	--
15/15 B	--	--	--	--	--	--
14/14 B	--	--	--	--	--	--
12/12 B	24.375	3.49	6.79	3.81	1.49	2

Overall length and width dimensions are $\pm 1/16"$

CLERMONT® TEXTURED 6'8"



Molded Door Facings Dimensional Specifications

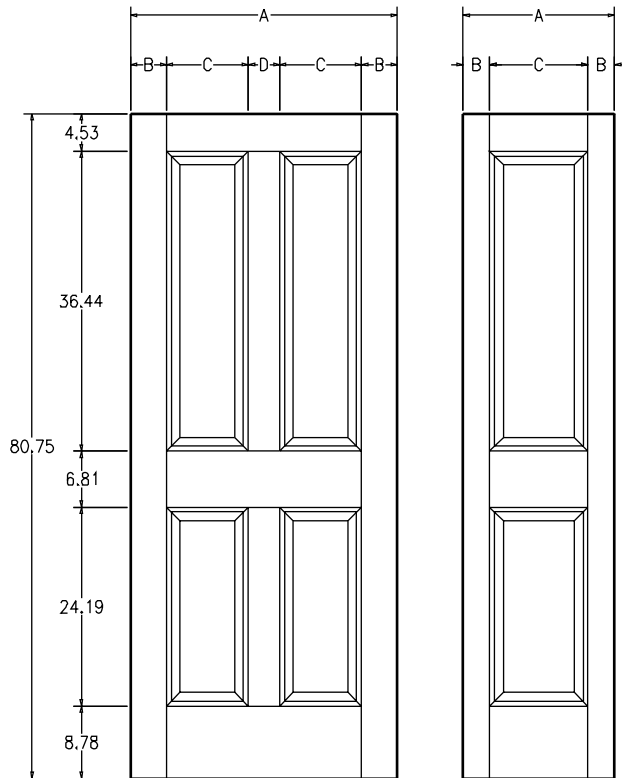


Bead and Cove Profile

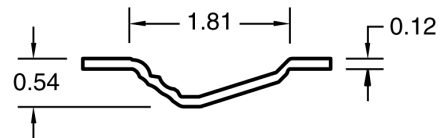
Door Facing Size (Nominal)	A	B	C	D
36	36.375	4.41	27.56	--
34	34.375	5.38	23.62	--
32	32.375	4.38	23.62	--
30	30.375	4.72	20.94	--
28	28.375	4.35	19.68	--
26	26.375	5.31	15.75	--
24	24.375	4.31	15.75	--
20	20.375	5.44	9.49	--
18	18.375	4.44	9.49	--
16 U	16.375	4.69	7.00	--
18/18 B	36.375	6.20	9.49	5.00
16/16 B	32.375	4.38	9.90	3.82
15/15 B	30.375	4.73	8.54	3.82
14/14 B	--	--	--	--
12/12 B	24.375	3.59	6.69	3.82
9/9 B	--	--	--	--

Overall length and width dimensions are $\pm 1/16$ "

COVENTRY® TEXTURED 6'8"



Molded Door Facings Dimensional Specifications

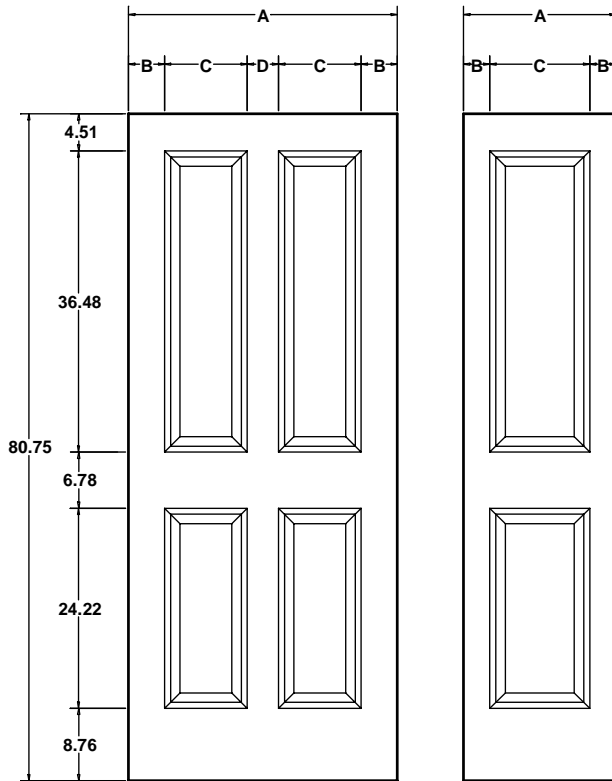


Bead and Cove Profile

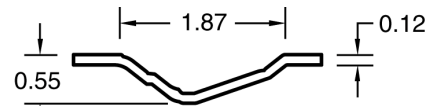
Door Facing Size (Nominal)	A	B	C	D
36	36.375	4.34	11.94	3.81
34	34.375	5.34	9.94	3.81
32	32.375	4.34	9.94	3.81
30	30.375	4.34	8.94	3.81
28	28.375	4.34	7.94	3.81
26	26.375	5.34	5.94	3.81
24	24.375	4.34	5.94	3.81
20	20.375	4.22	11.94	--
18	18.375	3.22	11.94	--
16 U	16.375	4.69	7.00	--
18/18 B	--	--	--	--
16/16 B	--	--	--	--
15/15 B	--	--	--	--
14/14 B	--	--	--	--
12/12 B	--	--	--	--
9/9 B	--	--	--	--

Overall length and width dimensions are $\pm 1/16$ "

COVENTRY® SMOOTH 6'8"



Molded Door Facings Dimensional Specifications

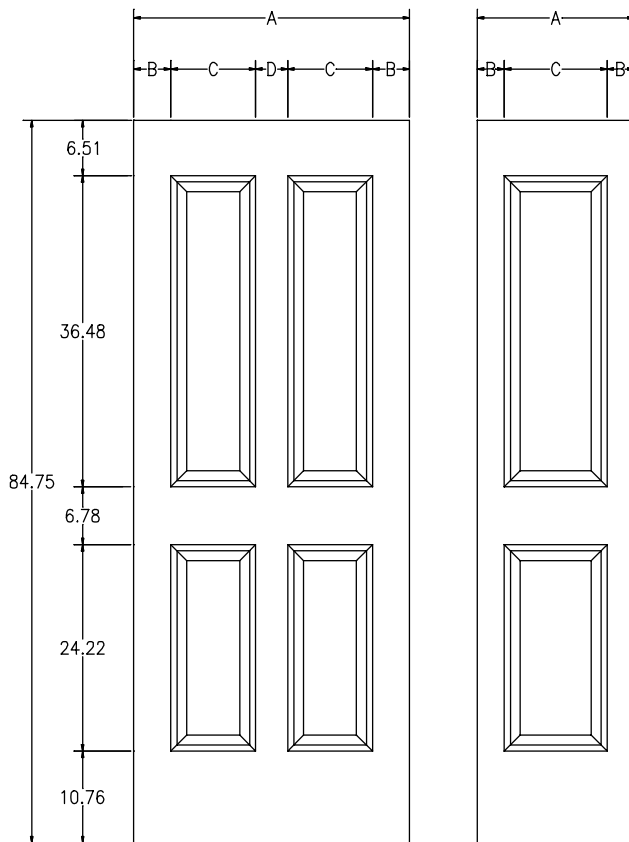


Patented INP Profile

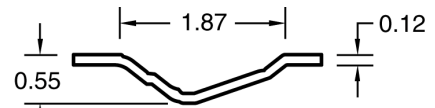
Door Facing Size (Nominal)	A	B	C	D
36	36.375	4.34	11.96	3.78
34	34.375	5.34	9.96	3.78
32	32.375	4.34	9.96	3.78
30	30.375	4.34	8.96	3.78
28	28.375	4.34	7.96	3.78
26	26.375	5.34	5.96	3.78
24	24.375	4.34	5.96	3.78
20	20.375	4.21	11.96	--
18	18.375	3.21	11.96	--
16 U	16.375	4.69	7.00	--
18/18 B	--	--	--	--
16/16 B	--	--	--	--
15/15 B	--	--	--	--
14/14 B	--	--	--	--
12/12 B	--	--	--	--

Overall length and width dimensions are $\pm 1/16"$

COVENTRY® SMOOTH 7'0"



Molded Door Facings Dimensional Specifications

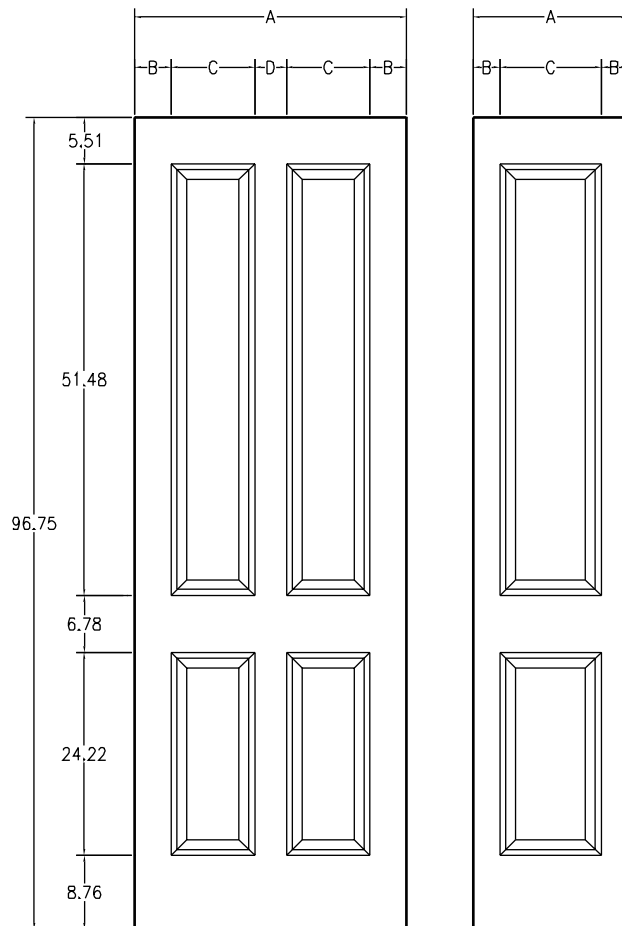


Patented INP Profile

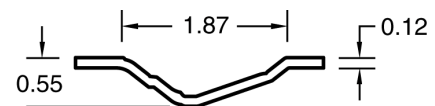
Door Facing Size (Nominal)	A	B	C	D
36	36.375	4.34	11.96	3.78
34	34.375	5.34	9.96	3.78
32	32.375	4.34	9.96	3.78
30	30.375	4.34	8.96	3.78
28	28.375	4.34	7.96	3.78
26	26.375	5.34	5.96	3.78
24	24.375	4.34	5.96	3.78
20	20.375	4.21	11.96	--
18	18.375	3.21	11.96	--
16 U	16.375	4.69	7.00	--
18/18 B	--	--	--	--
16/16 B	--	--	--	--
15/15 B	--	--	--	--
14/14 B	--	--	--	--
12/12 B	--	--	--	--

Overall length and width dimensions are $\pm 1/16$ "

COVENTRY® SMOOTH 8'0"



Molded Door Facings Dimensional Specifications

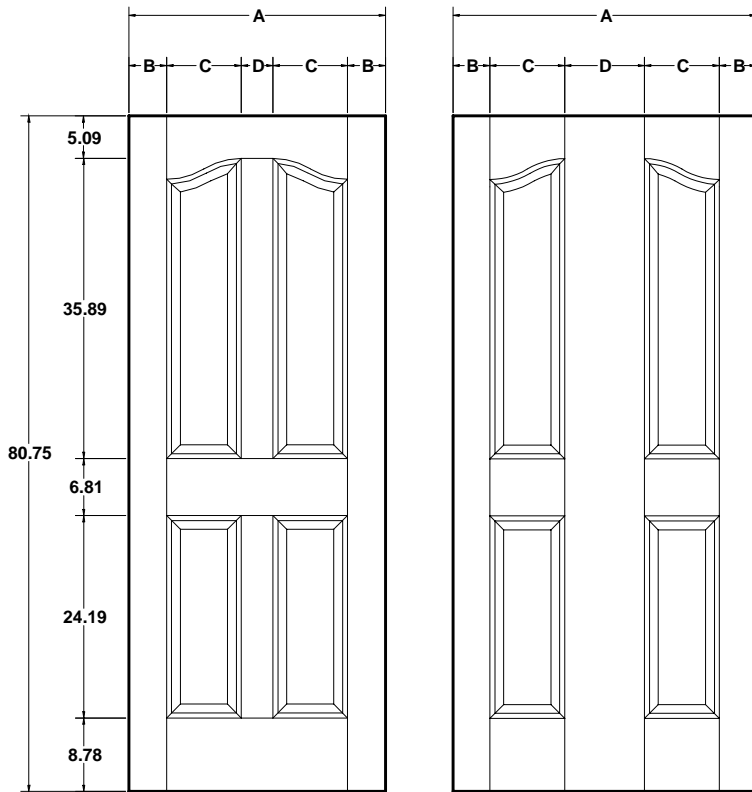


Patented INP Profile

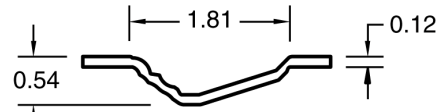
Door Facing Size (Nominal)	A	B	C	D
36	36.375	4.34	11.96	3.78
34	34.375	5.34	9.96	3.78
32	32.375	4.34	9.96	3.78
30	30.375	4.34	8.96	3.78
28	28.375	4.34	7.96	3.78
26	26.375	5.34	5.96	3.78
24	24.375	4.34	5.96	3.78
20	20.375	4.21	11.96	--
18	18.375	3.21	11.96	--
16 U	16.375	4.65	7.08	--
18/18 B	--	--	--	--
16/16 B	--	--	--	--
15/15 B	--	--	--	--
14/14 B	--	--	--	--
12/12 B	--	--	--	--
9/9 B	--	--	--	--

Overall length and width dimensions are $\pm 1/16$ "

CARMELLE® TEXTURED 6'8"



Molded Door Facings Dimensional Specifications

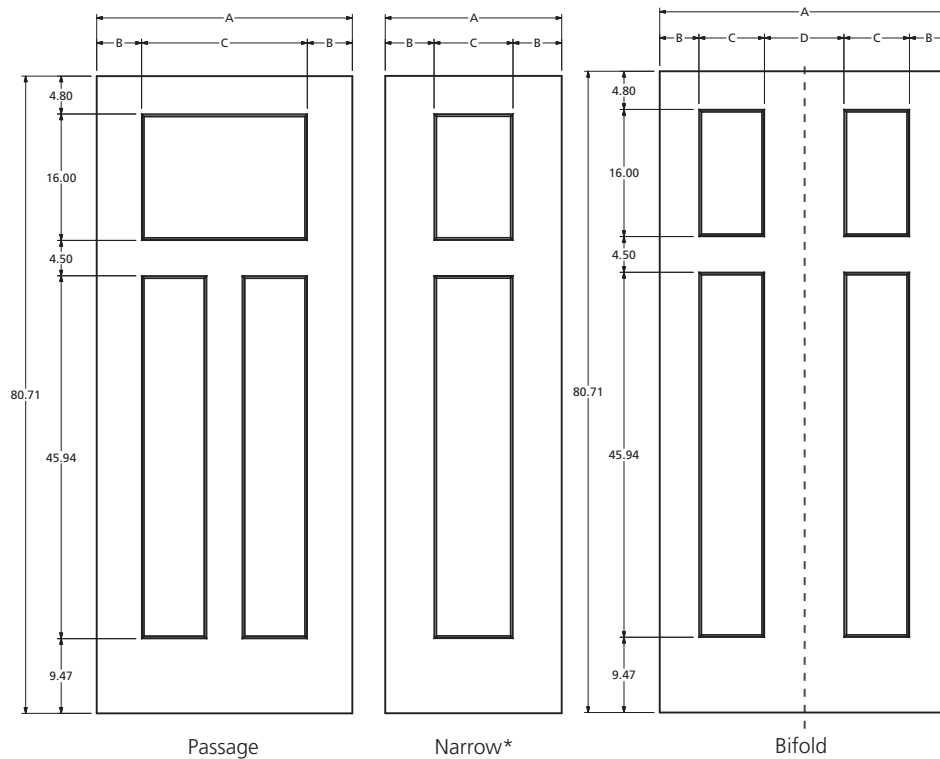


Bead and Cove Profile

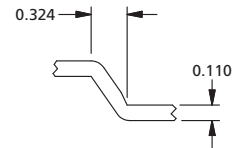
Door Facing Size (Nominal)	A	B	C	D
36	36.375	4.34	11.94	3.81
34	34.375	5.34	9.94	3.81
32	32.375	4.34	9.94	3.81
30	30.375	4.34	8.94	3.81
28	28.375	4.34	7.94	3.81
26	26.375	5.34	5.94	3.81
24	24.375	4.34	5.94	3.81
20	--	--	--	--
18	--	--	--	--
16 U	--	--	--	--
18/18 B	--	--	--	--
16/16 B	--	--	--	--
15/15 B	--	--	--	--
14/14 B	--	--	--	--
12/12 B	--	--	--	--
9/9 B	--	--	--	--
18/18 M	36.375	4.56	8.98	9.31

Overall length and width dimensions are $\pm 1/16$ "

Lynden Door™



Craftsman
Smooth | 6'8"
Craftsman Sticking



* 20" and narrower skins are two panel

Craftsman | Smooth | 6'8"

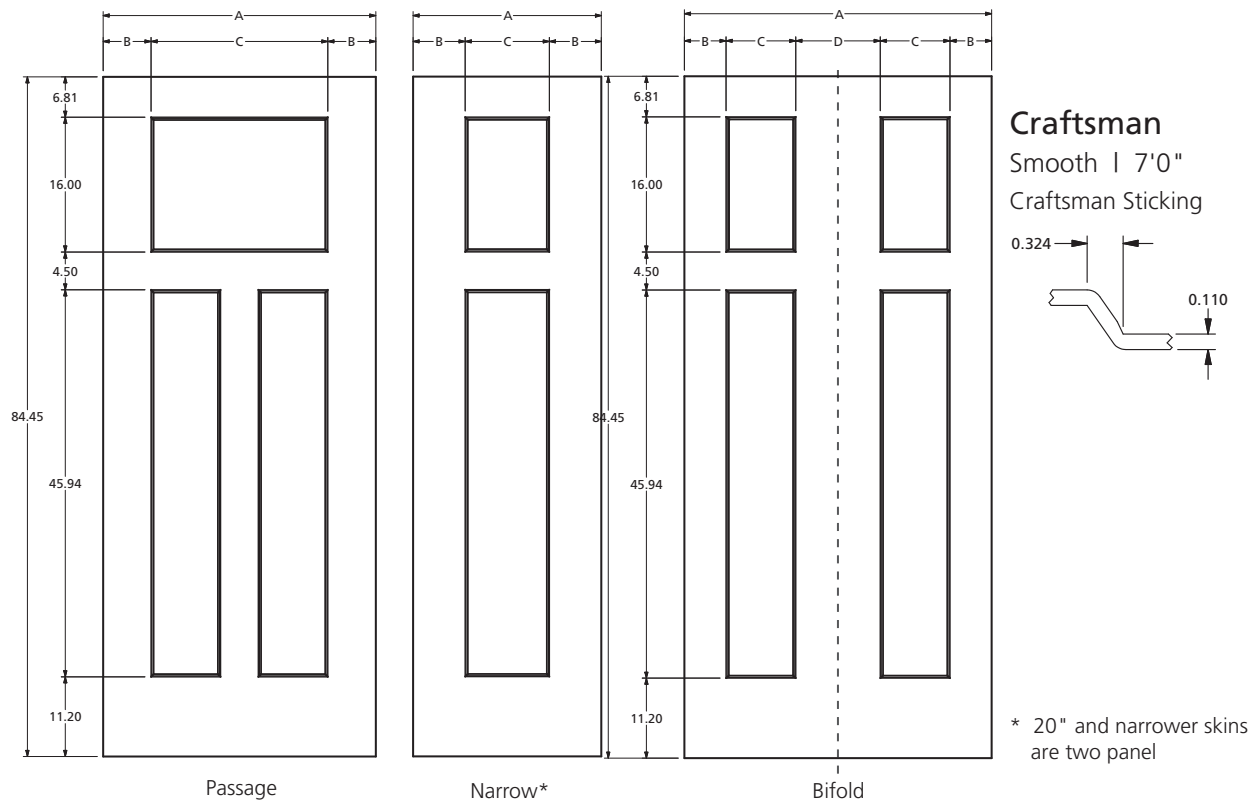
Molded Door Design (Door Facing) Sizes

Overall length and width dimensions +/- 1/16"

Nominal	A	B	C	D
36	36.378	5.689	25.000	--
34	34.370	4.685	25.000	--
32	32.362	5.681	21.000	--
30	30.394	4.697	21.000	--
28	28.386	5.693	17.000	--
26	26.378	4.689	17.000	--
24	24.370	4.685	15.000	--
22	22.362	6.181	10.000	--
20	20.394	5.197	10.000	--
18	18.386	4.193	10.000	--
16	16.378	4.064	8.250	--
15	15.394	4.697	6.000	--
14	14.370	4.185	6.000	--
12	12.362	4.181	4.000	--
18/18 B	36.378	4.939	8.250	10.000
16/16 B	32.362	2.931	8.250	10.000
15/15 B	30.394	4.572	6.000	9.250
14/14 B	28.386	3.568	6.000	9.250
12/12 B	24.370	4.060	4.000	8.250

Dimensions may vary by design or manufacturing facility, please contact Lynden Door for dimensional clarifications.

Lynden Door™



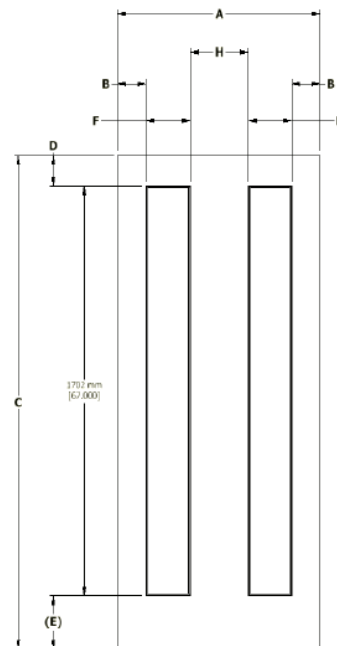
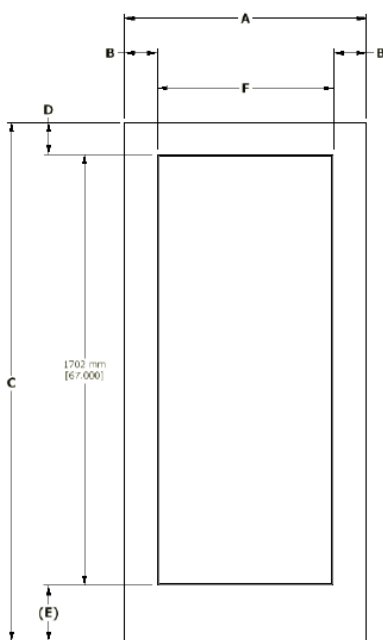
Craftsman | Smooth | 7'0"

Molded Door Design (Door Facing) Sizes

Overall length and width dimensions +/- 1/16"

Nominal	A	B	C	D
36	36.378	5.689	25.000	--
34	34.370	4.685	25.000	--
32	32.362	5.681	21.000	--
30	30.394	4.697	21.000	--
28	28.386	5.693	17.000	--
26	26.378	4.689	17.000	--
24	24.370	4.685	15.000	--
22	22.362	6.181	10.000	--
20	20.394	5.197	10.000	--
18	18.386	4.193	10.000	--
16	16.378	4.064	8.250	--
15	15.394	4.697	6.000	--
14	14.370	4.185	6.000	--
12	12.362	4.181	4.000	--
18/18 B	36.378	4.939	8.250	10.000
16/16 B	32.362	2.931	8.250	10.000
15/15 B	30.394	4.572	6.000	9.250
14/14 B	28.386	3.568	6.000	9.250
12/12 B	24.370	4.060	4.000	8.250

Dimensions may vary by design or manufacturing facility, please contact Lynden Door for dimensional clarifications.



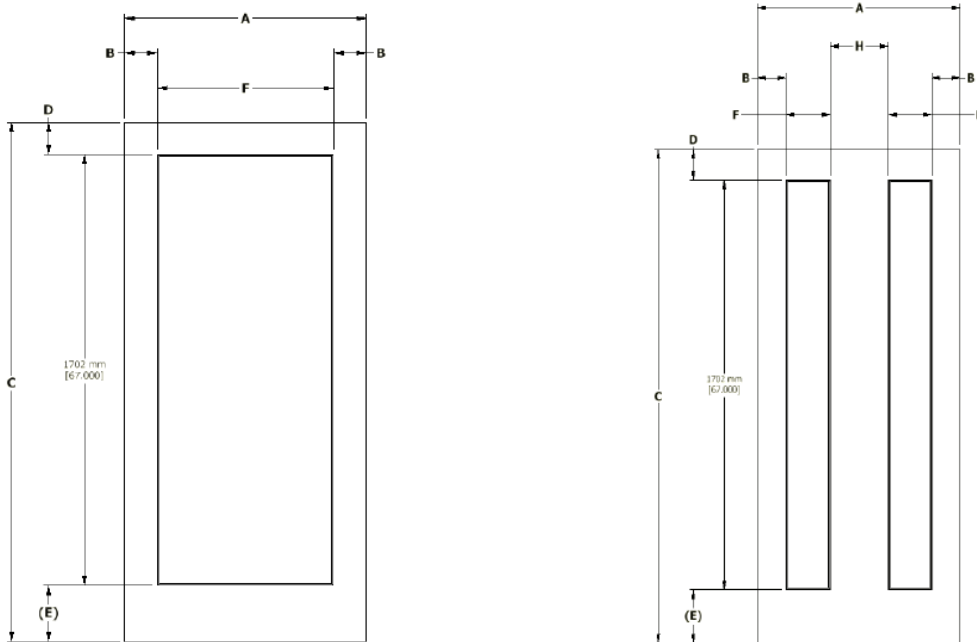
Madison Molded Panel Skin Dimensions 6'8" (80")

COLORED SECTIONS INDICATE MULTIPLE SIZES FROM THE SAME DIE. ALL DIMENSIONS ARE IN DECIMAL INCHES

THE MADISON BIFOLDS ARE BUILT USING DEDICATED DIES AND SPLITTING THEM DOWN THE CENTER STILE.

THE MADISON 1 / 0 THRU 1 / 6 PASSAGE DOORS ARE CUT FROM THE CORRESPONDING 2 PANEL BIFOLD SIZES.

SKIN SIZE CALLOUT	NUMBER OF PANELS	A OVERALL SKIN WIDTH	B STILE WIDTH	C OVERALL SKIN HEIGHT	D TOP RAIL WIDTH	E BOTTOM RAIL WIDTH	F PANEL WIDTH	G OVERALL PANEL WIDTH	H HORIZONTAL DISTANCE BETWEEN PANELS
3 / 0	1	36.378	4.939	80.709	5.000	8.709	26.500	26.500	NA
2 / 10	1	34.370	5.935	80.709	5.000	8.709	22.500	22.500	NA
2 / 8	1	32.362	4.931	80.709	5.000	8.709	22.500	22.500	NA
2 / 6	1	30.394	4.947	80.709	5.000	8.709	20.500	20.500	NA
2 / 4	1	28.386	4.943	80.709	5.000	8.709	18.500	18.500	NA
2 / 2	1	26.378	5.439	80.709	5.000	8.709	15.500	15.500	NA
2 / 0	1	24.370	4.435	80.709	5.000	8.709	15.500	15.500	NA
1 / 10	1	22.362	5.431	80.709	5.000	8.709	11.500	11.500	NA
1 / 8	1	20.394	4.447	80.709	5.000	8.709	11.500	11.500	NA
1 / 6	1	18.386	5.286	80.709	5.000	8.709	7.813	7.813	NA
1 / 4	1	16.378	4.283	80.709	5.000	8.709	7.813	7.813	NA
1 / 3	1	15.394	5.009	80.709	5.000	8.709	5.375	5.375	NA
1 / 2	1	14.370	4.498	80.709	5.000	8.709	5.375	5.375	NA
1 / 0	1	12.362	3.494	80.709	5.000	8.709	5.375	5.375	NA
3 / 0 Bifold	2	36.378	5.126	80.709	5.000	8.709	7.813	26.126	10.500
2 / 10 Bifold	2	34.370	4.122	80.709	5.000	8.709	7.813	26.126	10.500
2 / 8 Bifold	2	32.362	3.118	80.709	5.000	8.709	7.813	26.126	10.500
2 / 6 Bifold	2	30.394	4.853	80.709	5.000	8.709	5.375	20.688	9.938
2 / 4 Bifold	2	28.386	3.849	80.709	5.000	8.709	5.375	20.688	9.938
2 / 2 Bifold	2	26.378	2.845	80.709	5.000	8.709	5.375	20.688	9.938
2 / 0 Bifold	2	24.370	3.904	80.709	5.000	8.709	4.250	16.563	8.063
1 / 10 Bifold	2	22.362	2.900	80.709	5.000	8.709	4.250	16.563	8.063



Madison Molded Panel Skin Dimensions 7'0" (84")

COLORED SECTIONS INDICATE MULTIPLE SIZES FROM THE SAME DIE. ALL DIMENSIONS ARE IN DECIMAL INCHES

THE MADISON BIFOLDS ARE BUILT USING DEDICATED DIES AND SPLITTING THEM DOWN THE CENTER STILE.

THE MADISON 1 / 0 THRU 1 / 6 PASSAGE DOORS ARE CUT FROM THE CORRESPONDING 2 PANEL BIFOLD SIZES.

SKIN SIZE CALLOUT	NUMBER OF PANELS	A OVERALL SKIN WIDTH	B STILE WIDTH	C OVERALL SKIN HEIGHT	D TOP RAIL WIDTH	E BOTTOM RAIL WIDTH	F PANEL WIDTH	G OVERALL PANEL WIDTH	H HORIZONTAL DISTANCE BETWEEN PANELS	PDL DRAWING #
3 / 0	1	36.378	4.939	84.449	7.008	10.441	26.500	26.500	NA	P006732B
2 / 10	1	34.370	5.935	84.449	7.008	10.441	22.500	22.500	NA	P006733B
2 / 8	1	32.362	4.931	84.449	7.008	10.441	22.500	22.500	NA	P006733B
2 / 6	1	30.394	4.947	84.449	7.008	10.441	20.500	20.500	NA	P006734B
2 / 4	1	28.386	4.943	84.449	7.008	10.441	18.500	18.500	NA	P006735B
2 / 2	1	26.378	5.439	84.449	7.008	10.441	15.500	15.500	NA	P006736B
2 / 0	1	24.370	4.435	84.449	7.008	10.441	15.500	15.500	NA	P006736B
1 / 10	1	22.362	5.431	84.449	7.008	10.441	11.500	11.500	NA	P006737B
1 / 8	1	20.394	4.447	84.449	7.008	10.441	11.500	11.500	NA	P006737B
1 / 6	1	18.386	5.286	84.449	7.008	10.441	7.813	7.813	NA	P006738B
1 / 4	1	16.378	4.283	84.449	7.008	10.441	7.813	7.813	NA	P006738B
1 / 3	1	15.394	5.009	84.449	7.008	10.441	5.375	5.375	NA	P006739B
1 / 2	1	14.370	4.498	84.449	7.008	10.441	5.375	5.375	NA	P006739B
1 / 0	1	12.362	3.494	84.449	7.008	10.441	5.375	5.375	NA	P006739B
3 / 0 Bifold	2	36.378	5.126	84.449	7.008	10.441	7.813	26.126	10.500	P008325B
2 / 10 Bifold	2	34.370	4.122	84.449	7.008	10.441	7.813	26.126	10.500	P008325B
2 / 8 Bifold	2	32.362	3.118	84.449	7.008	10.441	7.813	26.126	10.500	P008325B
2 / 6 Bifold	2	30.394	4.853	84.449	7.008	10.441	5.375	20.688	9.938	P008324B
2 / 4 Bifold	2	28.386	3.849	84.449	7.008	10.441	5.375	20.688	9.938	P008324B
2 / 2 Bifold	2	26.378	2.845	84.449	7.008	10.441	5.375	20.688	9.938	P008324B
2 / 0 Bifold	2	24.370	3.904	84.449	7.008	10.441	4.250	16.563	8.063	P006740B
1 / 10 Bifold	2	22.362	2.900	84.449	7.008	10.441	4.250	16.563	8.063	P006740B

